

Speed Queen® Multi-Housing

Coin Slide Commercial Stack Dryer

Front Control



BUILT FOR RELIABLE PERFORMANCE


- Industry's largest door opening 2.06 sq. ft. (1914 cm²)
- Quiet, efficient blower system
- Door is reversible for installation flexibility (solid door models only)
- ADA compliant (bottom dryer only)
- High efficiency exhaust blower with superior airflow 220 cfm (105 liters/sec)
- 100% serviceable from the front
- Space-saving narrow cabinet 26-7/8" (683 mm)
- Upfront lint filter easy to clean and secured
- Durable galvanized steel cylinder
- Two commercial dryers in the space of one

COIN SLIDE CONTROL

- Independent controls
- Reliable heavy-duty operation
- Four dryer heat cycle options
- Easy to use controls offer basic features for optimal laundry room operation



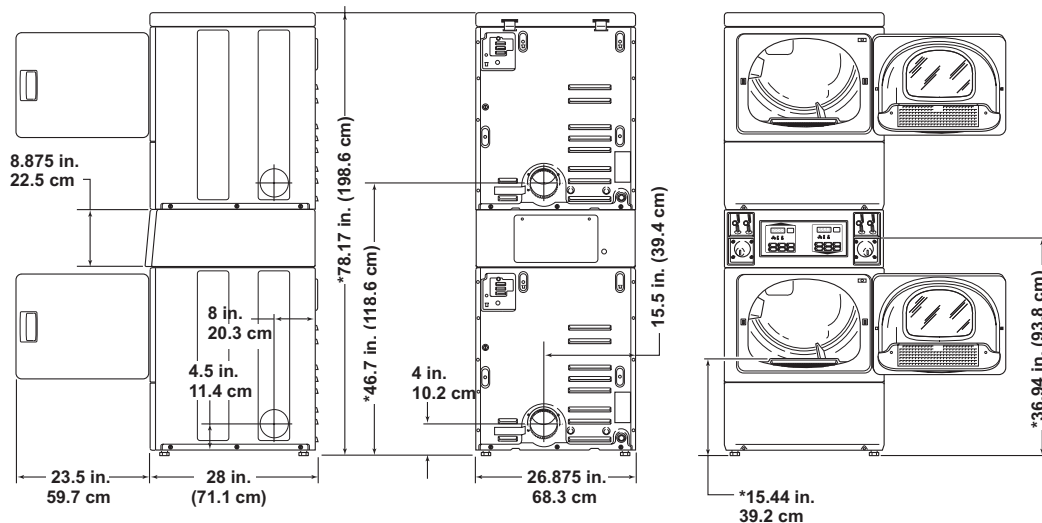
COIN SLIDE **STACK DRYER** SPECIFICATIONS

MODELS {NOTE: Coin Box Sold Separately}		Elec Gas	SSESXAGS151TW01 SSESXAGS171TW01 SSGSXAGS111TW01	SSESXAGW171TW01 SSGSXAGW111TW01
	Activation	Coin Slide	Coin Slide	
Appearance				
Color	White	White		
Control Panel Selection	Front	Front		
Door	Solid	Window		
Meter Case	High Capacity	High Capacity		
Technical Info				
Galvanized Cylinder Volume - cu. ft. (liters)	7.0 (198) ea	7.0 (198) ea		
Cycle Temperature - Normal, Perm Press, Delicate, No Heat				
Motor - HP	1/3 HP	1/3 HP		
Weight - lb (kg)	Elec	265 (120)	265 (120)	
	Gas	275 (125)	275 (125)	
Shipping Weight - lb (kg)	Elec	280 (127)	280 (127)	
	Gas	290 (132)	290 (132)	
Electrical Requirements (ea)	Elec	120/208/60/1 120/240/60/1*	120/240/60/1*	
	Gas	120/60/1	120/60/1	
Overall Dimensions - WxDxH in (mm): 26 7/8 (683) x 28" (711) x 78 3/16 (1986)				
Type Of Gas (Gas Models Only) Factory-Equipped Natural/Mixed Gas**				
Air Outlet Diameter - in (mm)	4" (102)	4" (102)		
Exhaust Airflow cfm - (liters/sec)	220 (105)	220 (105)		
Efficient Dryer Heating (ea)	Elec	4750W, 208V 5350W, 240V	5350W, 240V	
	Gas	25,000 Btu	25,000 Btu	
Performance/Features				
Coin Slide Offers Simple Dependable Operation				
Agency Approval	Elec	cULus	cULus	
	Gas	cCSAus	cCSAus	

* Electric dryers come equipped for 120/240/60/1 operation. They can be field converted to operate on 120/208/60/1 with optional 61928 conversion kit.

** Gas dryers can be field converted for operation on LP gas with optional 458P3 conversion kit.

For the most accurate information, the installation guide should be used for all design and construction purposes. Due to continuous product improvements, design and specifications subject to change without notice. The quality management system of Alliance Laundry Systems' Ripon facility has been registered to ISO9001:2008.



* With leveling legs turned into base.
 NOTE: Exhaust openings are 10.2 cm (4 inch) metal ducting.

DRY2536N

