



SPEED QUEEN® MULTI-HOUSING LAUNDRY SOLUTIONS

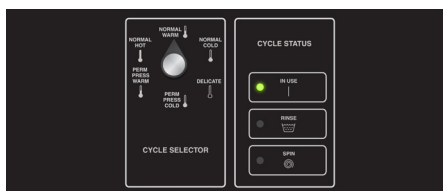
# Top Load Washer

## Push-To-Start

### Built for Reliable Performance

The Speed Queen Push-To-Start two-speed top load washer combines heavy-duty construction with reliable operation proven to stand the test of time. They're designed with less moving parts for one reason: so you'll face fewer maintenance problems and less wear and tear down the road. The equipment provides an advantage on such issues as energy conservation, equipment breakdowns and vandalism. These units are ideal for military, colleges, restaurants, beauty salons and other special business applications.

- Durable stainless steel wash tub
- Extract speed of 710 RPM spins clothes out drier
- Automatic Balancing Suspension provides the industry's best out-of-balance handling, completing wash cycles without interruption
- Curved four-vane polypropylene agitator provides 210° agitation stroke which delivers superior washability
- Dependable, Eversmooth transmission



### Push-To-Start Control

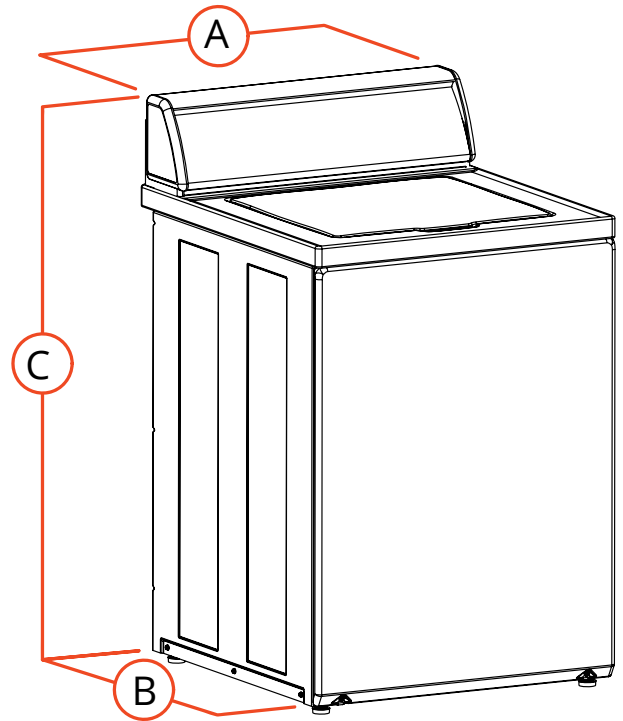
Push-To-Start control provides easy to start activation indicated by "In Use" light.

# Top Load Washer

## Push-To-Start

Specifications	
Control Option	Push-To-Start
Color	White
Capacity - lb (kg)	16 (7.3)
Cylinder Volume - cu. ft. (liters)	3.19 (90.3)
Spin Speed G-Force (RPM)	150 (710)
Motor Size - HP (kw)	0.5 (0.37)
Water Consumption Per Cycle - g (liter)	28.07 (106)
IWF (Water Factor) - gal/ft <sup>3</sup> (liters/liter/cycle)	8.8 (1.18)
MEF <sub>2</sub> (Modified Energy Factor) ft <sup>3</sup> /kWh/cycle (Liters/kWh/cycle)	1.35 (38.2)
Cycle Selections	Normal Hot, Normal Warm, Normal Cold, Delicate, Perm Press Cold, Perm Press Warm
Electrical Requirements (v/Hz/Ph-Amp)	120/60/1 - 15 Amp
Water Pressure - p.s.i. (bar)	20-120 (1.4/8.3)
Drain	Pump
Cylinder Finish	Stainless Steel
Net Weight - lb (kg)	206 (93.4)
Shipping Weight - lb (kg)	218 (98.8)
Shipping Dimensions Approx. - in (mm)	Width 28 (711)
	Depth 30 (762)
	Height 45 (1143)
Agency Approvals	cULus

Models	Actuation
SWNMN2SP115TW01	Push-To-Start 



A. Overall Width - in (mm)	25.625 (651)
B. Overall Depth - in (mm)	28 (711)
C. Overall Height - in (mm)	43 (1092)

For the most accurate information, the installation guide should be used for all design and construction purposes. Due to continuous product improvements, design and specifications subject to change without notice. The quality management systems at Alliance Laundry Systems are registered to ISO 9001.