



SPEED QUEEN® MULTI-HOUSING LAUNDRY SOLUTIONS

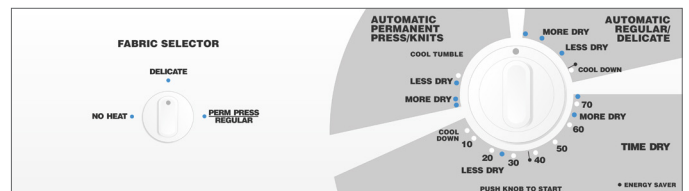
## Rear Control Single Dryer

### Manual Homestyle

#### Built for Reliable Performance

Speed Queen's Manual control single load dryer combines heavy-duty construction with reliable operation proven to stand the test of time. They're designed with less moving parts for one reason: so you'll face fewer maintenance problems and less wear and tear down the road. Our cabinet design maintains the perfect balance of heat, airflow and tumble action for optimal performance and efficiency. The equipment provides an advantage on such issues as energy conservation, equipment breakdowns and vandalism. Customers have the flexibility to choose from four heat/cycle selections.

- Industry's largest door opening 2.06 sq. ft. (1914 cm<sup>2</sup>)
- Door is reversible for installation flexibility
- High efficiency exhaust blower with superior airflow 220 cfm (105 liters/sec)
- 100% serviceable from the front
- Space-saving narrow cabinet 26.875" (683 mm)
- Upfront lint filter easy to clean and secured
- Durable galvanized steel cylinder
- Efficient and fast dry cycle
- Extra-large capacity



#### Manual Homestyle Control

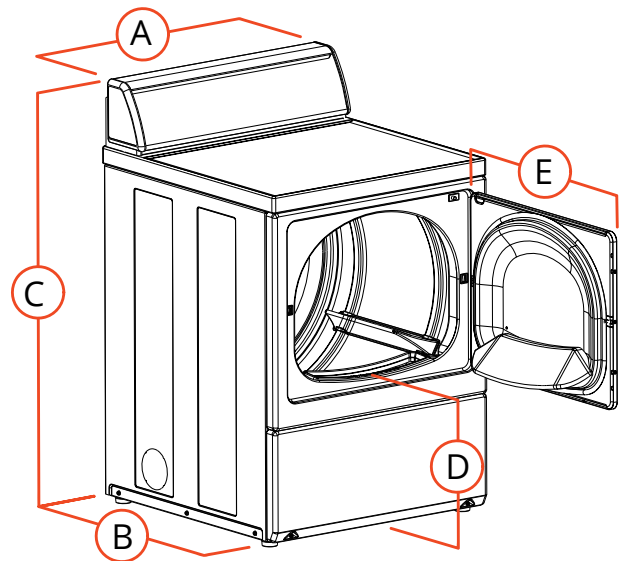
Manual Homestyle control offers a reliable heavy-duty multi-cycle timer knob.

# Rear Control Single Dryer

## Manual Homestyle

Specifications		
Control Option		Manual Homestyle
Color		White
Capacity - lb (kg)		18 (8.2)
Cylinder Volume - cu. ft. (liters)		7.0 (198)
Motor (Thermal Protected)		0.33 HP
Type Of Gas (Gas Models Only)		Factory equipped natural/mixed gas
Air Outlet Diameter - in (mm)		4 (102)
Exhaust Airflow - cfm (liters/sec)		220 (105)
Available Cycles		Automatic Permanent Press/Knits, Automatic Regular/Delicate, Time Dry
Electrical Requirements	*Electric	120/240/60/1-30 amp 120/208/240/60/1-30 amp
	Gas	120/60/1-15 amp
Heating Element	Electric	5350W, 240V 4750W, 208V
	Gas	25,000 Btu
Net Weight - lb (kg)	Electric	126 (57.2)
	Gas	126 (57.2)
Shipping Weight - lb (kg)	Electric	136 (61.7)
	Gas	136 (61.7)
Shipping Dimensions Approx. - in (mm)	Width	30.5 (775)
	Depth	29.5 (762)
	Height	45 (1143)
Agency Approvals	Electric	cULus
	Gas	cCSAus

Models	Voltage/Freq/PH	
LDE30RGS173TW01	208-240/60/1	Electric
LDG30RGS113TW01	120/60/1	Gas



A. Overall Width - in (mm)	26.875 (683)
B. Overall Depth - in (mm)	28 (711)
C. Overall Height - in (mm)	43 (1092)
D. Floor To Door Opening -in (mm)	15.44 (392)
E. Door Swing - in (mm)	23.5 (597)

\*Electric dryers come equipped for 240/60/1 operation. They can be field converted to operate on 208/60/1 with optional 61928 conversion kit. Gas dryers can be field converted for operation on LP gas with optional 458P3 conversion kit.

For the most accurate information, the installation guide should be used for all design and construction purposes. Due to continuous product improvements, design and specifications subject to change without notice. The quality management systems at Alliance Laundry Systems are registered to ISO 9001.