



SPEED QUEEN® MULTI-HOUSING LAUNDRY SOLUTIONS

# Top Load Washer

## Electronic Control

### Built for Reliable Performance

Speed Queen® two-speed top load washers are durably constructed using premium materials for long-lasting, reliable performance and superior wash results. If you want your laundry done right, you want a Speed Queen. Our machines are manufactured using metal instead of plastic. They're built with rugged, commercial-grade construction and pushed beyond their limit in our state-of-the-art test lab, ensuring unmatched durability. Our world-class test lab rigorously pushes our products far beyond the conditions they're likely to ever face. We work hard at every point of our manufacturing process to ensure that our machines reflect that belief.

- Durable stainless steel wash tub
- Extract speed of 710 RPM spins clothes out drier
- Automatic Balancing Suspension provides the industry's best out-of-balance handling, completing wash cycles without interruption
- Curved four-vane polypropylene agitator provides 210° agitation stroke which delivers superior washability
- Low water consumption



### Electronic Control

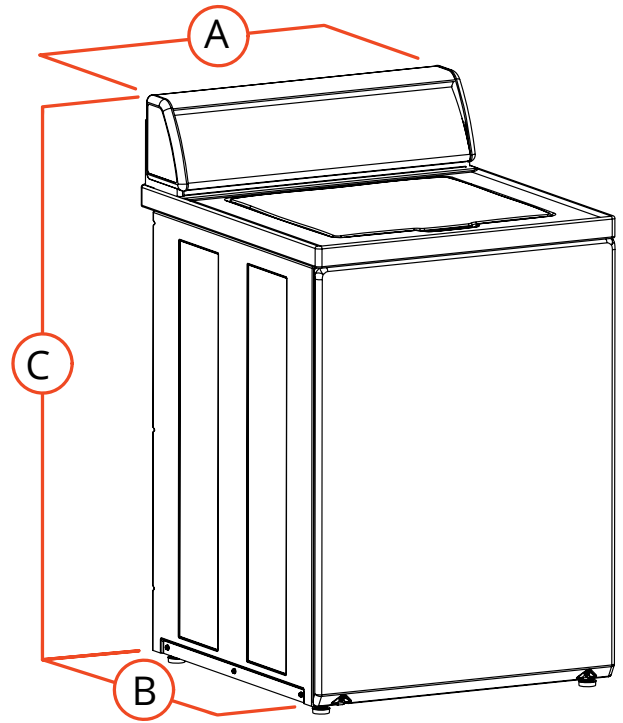
Electronic control is designed for durability and easy operation with attractive selection buttons and cycle status indicator lights.

# Top Load Washer

## Electronic Control

Specifications		
Control Option	Electronic	
Color	White	
Capacity - lb (kg)	16 (7.3)	
Cylinder Volume - cu. ft. (liters)	3.17 (89.76)	
Spin Speed G-Force (RPM)	150 (710)	
Motor Size - HP (kw)	0.5 (0.37)	
Water Consumption Per Cycle - g (liter)	27.9 (105.61)	
IWF (WATER FACTOR) - gal/ft <sup>3</sup> (liters/liter/cycle)	8.8 (1.18)	
MEF <sub>2</sub> (Modified Energy Factor) ft <sup>3</sup> /kWh/cycle (Liters/kWh/cycle)	1.35 (38.2)	
Available Water Temperatures	Hot, Warm, Cold	
Available Cycles	Heavy Duty, Normal Eco, Perm Press, Delicate, Rinse & Spin, Spin	
Electrical Requirements (v/Hz/Ph-Amp)	120/60/1 - 15 Amp	
Water Pressure - p.s.i. (bar)	20-120 (1.4/8.3)	
Drain	Pump	
Cylinder Finish	Stainless Steel	
Net Weight - lb (kg)	186 (84.4)	
Shipping Weight - lb (kg)	196 (88.9)	
Shipping Dimensions Approx. - in (mm)	Width	28 (711)
	Depth	30 (762)
	Height	45 (1143)
Agency Approvals	cULus	

Models	
LWNE22SP115TW01	



A. Overall Width - in (mm)	25.625 (651)
B. Overall Depth - in (mm)	28 (711)
C. Overall Height - in (mm)	43 (1092)

For the most accurate information, the installation guide should be used for all design and construction purposes. Due to continuous product improvements, design and specifications subject to change without notice. The quality management systems at Alliance Laundry Systems are registered to ISO 9001.