



SPEED QUEEN® MULTI-HOUSING LAUNDRY SOLUTIONS

Rear Control Front Load Washer

Manual Homestyle

Built for Reliable Performance

Speed Queen® front load washers are durably constructed using premium materials for long-lasting, reliable performance and superior wash results. If you want your laundry done right, you want a Speed Queen. Our machines are manufactured using metal instead of plastic. They're built with rugged, commercial-grade construction. Our world-class test lab rigorously pushes our products far beyond the conditions they're likely to ever face. We work hard at every point of our manufacturing process to ensure that our machines reflect that belief.

- Revolutionary balancing technology
- Industry leading 1200 RPM spin speed exerts 440 G-force extraction
- Extra-wide 15.5" door opening and 180° door swing
- Rugged suspension system
- Durable stainless steel tub standard
- Four-compartment soap dispenser



Manual Homestyle Control

Manual Homestyle control provides easy to start activation indicated by "In Use" light.



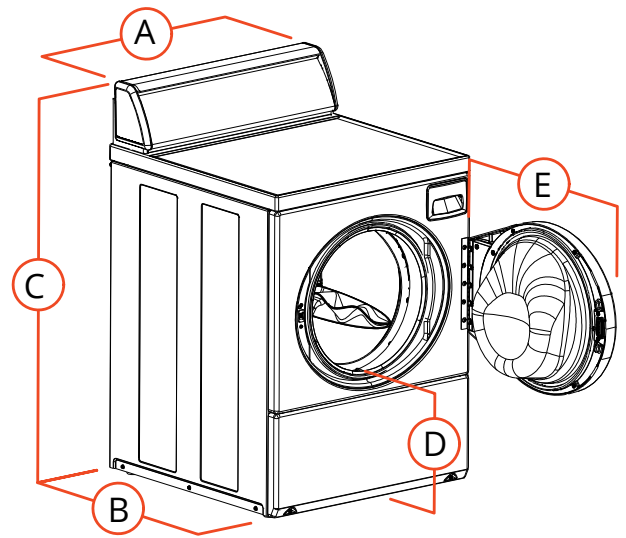
ENERGY STAR®
Certified Washer

Rear Control Front Load Washer

Manual Homestyle

Specifications		
Control Option	Manual Homestyle	
Color	White	
Capacity - lb (kg)	21.5 (9.5)	
Cylinder Volume - cu. ft. (liters)	3.42 (96.8)	
Spin Speed G-Force (RPM)	440 (1200)	
Motor Size - HP (kw)	0.9 (0.67)	
Water Consumption Per Cycle - g (liter)	13.68 (51.8)	
IWF (WATER FACTOR) - gal/ft ³ (liters/liter/cycle)	4.0 (0.53)	
MEF ₂ (Modified Energy Factor) ft ³ /kWh/cycle (Liters/kWh/cycle)	2.20 (62.3)	
Available Water Temperatures	Hot, Warm, Cold	
Available Cycles	Heavy Duty/Permanent Press, Normal Eco, Delicate/Bulky, Rinse & Spin, Spin Only	
Electrical Requirements (v/Hz/Ph-Amp)	120/60/1 - 15 Amp	
Water Pressure - p.s.i. (bar)	20-120 (1.4/8.3)	
Drain	Pump	
Cylinder Finish	Stainless Steel	
Net Weight - lb (kg)	260 (118)	
Shipping Weight - lb (kg)	270 (122.5)	
Shipping Dimensions Approx. - in (mm)	Width	34 (864)
	Depth	30 (762)
	Height	44.5 (1130)
Agency Approvals	cULus	

Models	
LFN50RSP115TW01	



A. Overall Width - in (mm)	26.875 (683)
B. Overall Depth - in (mm)	27.73 (704)
C. Overall Height - in (mm)	43 (1092)
D. Floor To Door Opening -in (mm)	14.6 (371)
E. Door Swing - in (mm)	24.06 (611)

For the most accurate information, the installation guide should be used for all design and construction purposes. Due to continuous product improvements, design and specifications subject to change without notice. The quality management systems at Alliance Laundry Systems are registered to ISO 9001.