



SPEED QUEEN® MULTI-HOUSING LAUNDRY SOLUTIONS

## Rear Control Single Dryer

### Quantum® Gold Pro

Prep for Card | Coin Drop Installed | Prep for Coin

#### Built for Reliable Performance

Speed Queen's dryer, defined by its simplicity and its performance, provides everything you need to get the job done - and nothing you don't. Speed Queen's single load dryers combine heavy-duty construction with reliable operation proven to stand the test of time. They're designed with less moving parts for one reason: so you'll face fewer maintenance problems and less wear and tear down the road. Speed Queen's dryers provide the perfect balance of heat, airflow and tumble action for optimal performance and efficiency.

- Integrated meter case
- Industry's largest door opening 2.06 sq. ft. (1914 cm<sup>2</sup>)
- Quiet, efficient blower system
- Door is reversible for installation flexibility
- High efficiency exhaust blower with superior airflow 220 cfm (105 liters/sec)
- 100% serviceable from the front
- Space-saving narrow cabinet 26.875" (683 mm)
- Upfront lint filter easy to clean and secured
- Durable galvanized steel cylinder
- Large capacity meter case standard



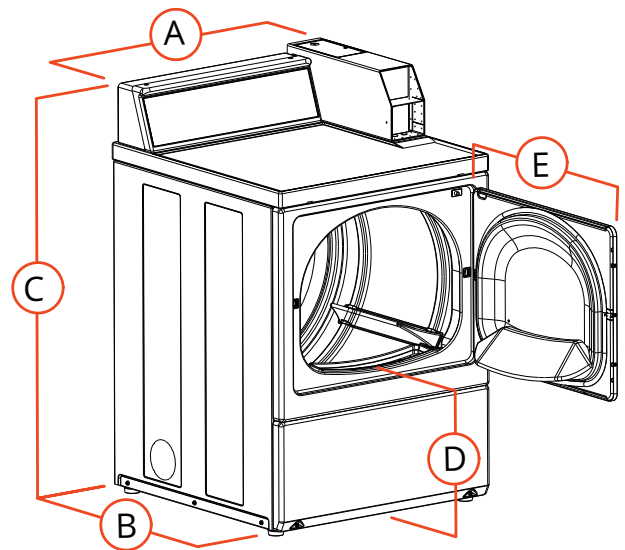
#### Quantum® Gold Pro Control

The Quantum® Gold Pro control delivers a truly premium experience to residents. From intuitive soft touch buttons that walk them through cycle options to multiple actuations (coin, card, mobile) for payment flexibility, this control gives residents the wash and dry options they want, and the revenue potential managers desire.




# Rear Control Single Dryer

## Quantum® Gold Pro

Specifications		Quantum Gold Pro
Control Option		Quantum Gold Pro
Color		White
Capacity - lb (kg)		18 (8.2)
Overall Width - in (mm)		26.875 (683)
Overall Depth - in (mm)		28 (711)
Overall Height - in (mm)		43 (1092)
Cylinder Volume - cu. ft. (liters)		7.0 (198)
Motor (Thermal Protected)		0.33 HP
Type Of Gas (Gas Models Only)		Factory equipped natural
Air Outlet Diameter - In (Mm)		4 (102)
Exhaust Airflow - cfm (liters/sec)		220 (105)
Available Cycles		High, Medium, Low, Delicates, No Heat
Electrical Requirements	Electric	208-240/60/1-30 amp
	Gas	120/60/1-15 amp
Heating Element	Electric	5350W, 240V 4750W, 208V
	Gas	25,000 Btu
Net Weight - lb (kg)	Electric	150 (68)
	Gas	150 (68)
Shipping Weight - lb (kg)	Electric	161 (73)
	Gas	161 (73)
Shipping Dimensions Approx. - in (mm)	Width	30.5 (775)
	Depth	29.5 (749)
	Height	45 (1143)
Agency Approvals	Electric	cULus
	Gas	cCSAus



A. Overall Width - in (mm)	26.875 (683)
B. Overall Depth - in (mm)	28 (711)
C. Overall Height - in (mm)	43 (1092)
D. Floor To Door Opening - in (mm)	15.44 (392)
E. Door Swing - in (mm)	23.5 (597)

Models	Voltage/Freq/PH	Actuation	
SDENCRGS176TW01	208-240/60/1	Electric	Coin Drop Installed 
SDGNCRGS116TW01	120/60/1	Gas	
SDENXRGs176TW01	208-240/60/1	Electric	Prep for Coin 
SDGNXRGs116TW01	120/60/1	Gas	
SDENYRGs176TW01	208-240/60/1	Electric	Prep for Card 
SDGNYRGs116TW01	120/60/1	Gas	

Electric dryers come equipped for 208-240/60/1 operation. They can be field converted to operate on 208/60/1 with optional 61928 conversion kit. Gas dryers can be field converted for operation on LP gas with optional 458P3 conversion kit.

For the most accurate information, the installation guide should be used for all design and construction purposes. Due to continuous product improvements, design and specifications subject to change without notice. The quality management systems at Alliance Laundry Systems are registered to ISO 9001.

**Commercial product is not authorized for sale to Residential end consumers.**