

Machine Dimensions and Specifications

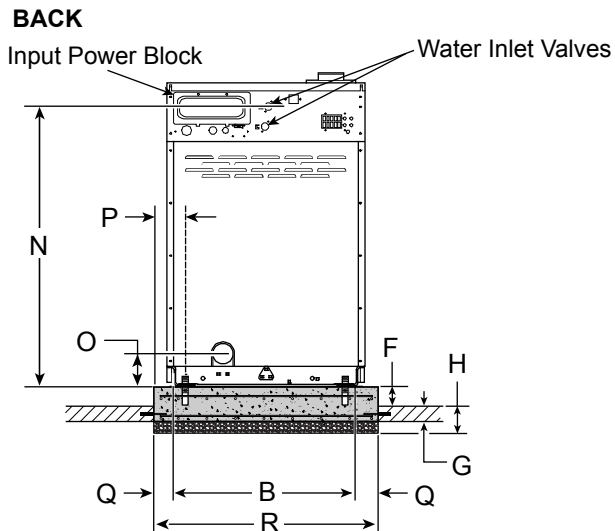
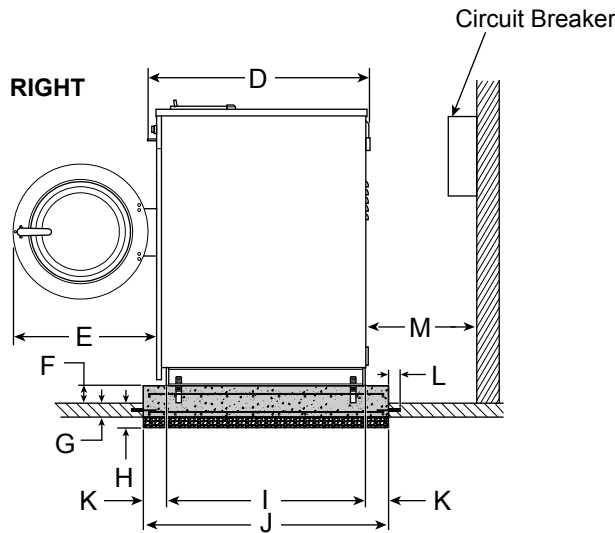
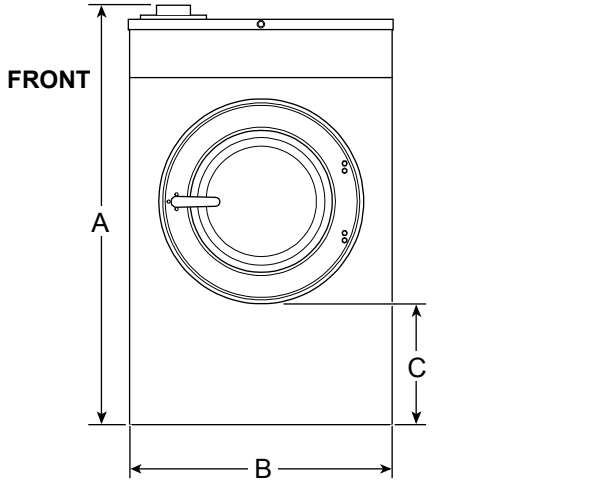
Models SCN020KNF



Equipment specifications are subject to change without notice.

Design 3

Machine Dimensions and Specifications



Dimensions and Foundation Requirements, in. [mm]

A	44.5 [1130]	J	34.8 [884]
B	26.0 [660]	K	3.44 [87]
C	14.38 [365]	L	2.5 [64]
D	30.85 [784]	M	24 [610]
E	16.75 [426]	N	39.0 [991]
F*	8 [203] (maximum)	O	4.7 [119]
G	4 [102]	P	7.83 [199]
H	8 [203] (minimum)	Q	2.52 [64]
I	26.83 [681]	R	31.4 [798]

*Optional elevated pad

Water, Drain and Weight Specifications

Number of drain outlets	1
Drain connection size, in. [mm]	2 [51]
Number of water inlets	2
Water inlet connection size, in. BSP [mm]	3/4 [19]
Net weight, lbs. [kg]	335 [152]
Standard shipping weight, lbs. [kg]	365 [166]
Side clearance from wall, in. [mm]	2 [51]
Side clearance between machines, in. [mm]	.5 [13]

Electrical Specifications

Code	Voltage	Cycle	Phase	Wire	Full Load Amps	Circuit Breaker	AWG	mm ²
B	120	60	1	2	7	15	14	2.5
X	200-208	50/60	1/3	2/3	4/3	15	14	2.5
	220-240							
Q	Standard	50/60	3	3	3	15	14	2.5
	Electric Heat							
N	440-480	50/60	3	3	2	15	14	2.5
P	Standard	50/60	3	3	2	15	14	2.5
	Electric Heat							

CHM9L_SVG