

# Machine Dimensions and Specifications

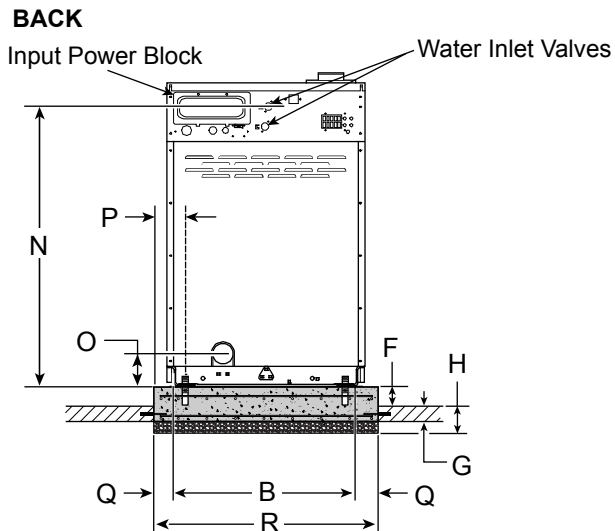
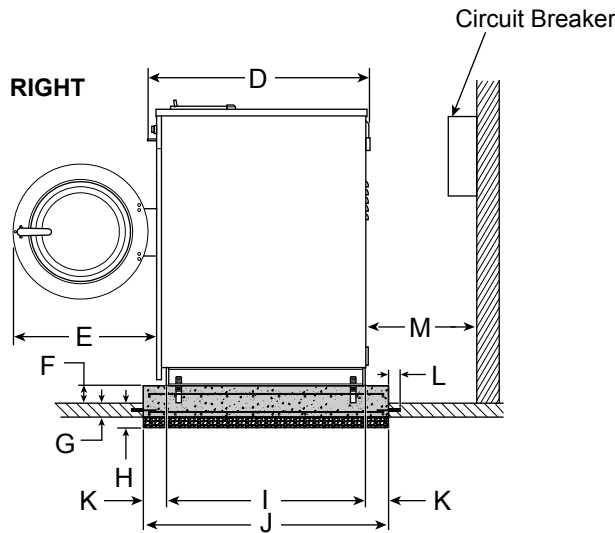
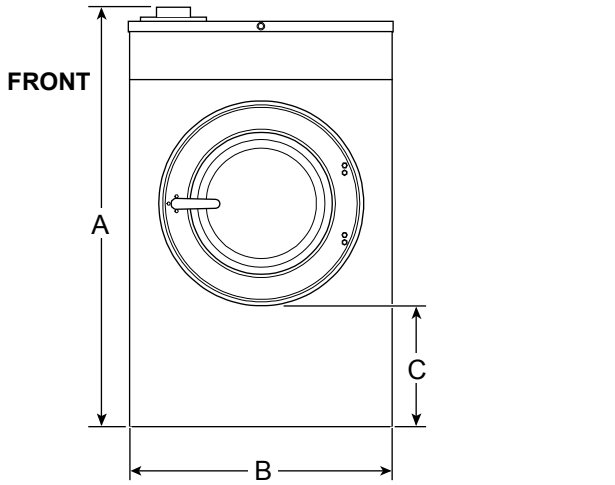
Models SCN060KNV



Equipment specifications are subject to change without notice.

Design 2

## Machine Dimensions and Specifications



## Dimensions and Foundation Requirements, in. [mm]

A	51.39 [1305]	J	50.6 [1285]
B	34.06 [865]	K	5.99 [152]
C	14.94 [379]	L	2.5 [64]
D	44.7 [1135]	M	24 [610]
E	21.75 [552]	N	45.88 [1165]
F*	8 [203] (maximum)	O	4.87 [124]
G	6 [152]	P	9.89 [251]
H	12 [305] (minimum)	Q	5.18 [131]
I	39.45 [1002]	R	44.8 [1138]

\*Optional elevated pad

## Water, Drain and Weight Specifications

Number of drain outlets	1
Drain connection size, in. [mm]	3 [76]
Number of water inlets	2
Water inlet connection size, in. BSP [mm]	3/4 [19]
Net weight, lbs. [kg]	695 [315]
Standard shipping weight, lbs. [kg]	745 [338]
Side clearance from wall, in. [mm]	2 [51]
Side clearance between machines, in. [mm]	.5 [13]

## Electrical Specifications

Code	Voltage	Cycle	Phase	Wire	Full Load Amps	Circuit Breaker	AWG	mm <sup>2</sup>
X	200-208	50/60	1/3	2/3	10/6	15	14	2.5
	220-240							
Q	Standard 200-208	50/60	3	3	6	15	14	2.5
	Electric Heat 220-240							
P	Standard 380-415	50/60	3	3	4	15	14	2.5
	Electric Heat							
N	Standard 440-480	50/60	3	3	4	15	14	2.5
	Electric Heat							

CHM9L\_SVG