

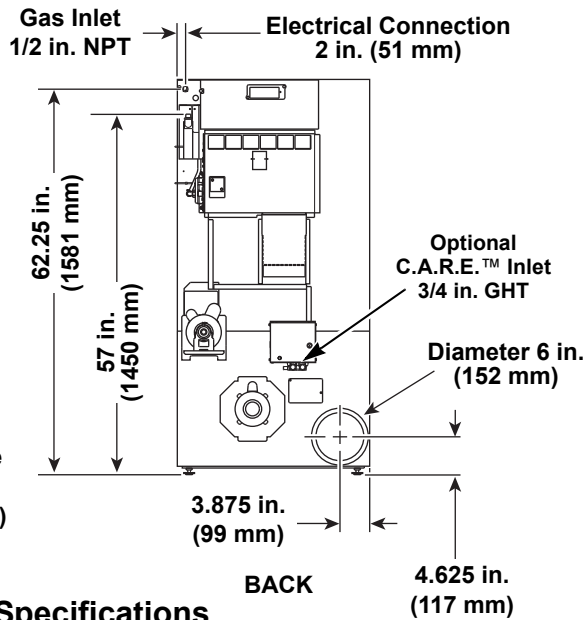
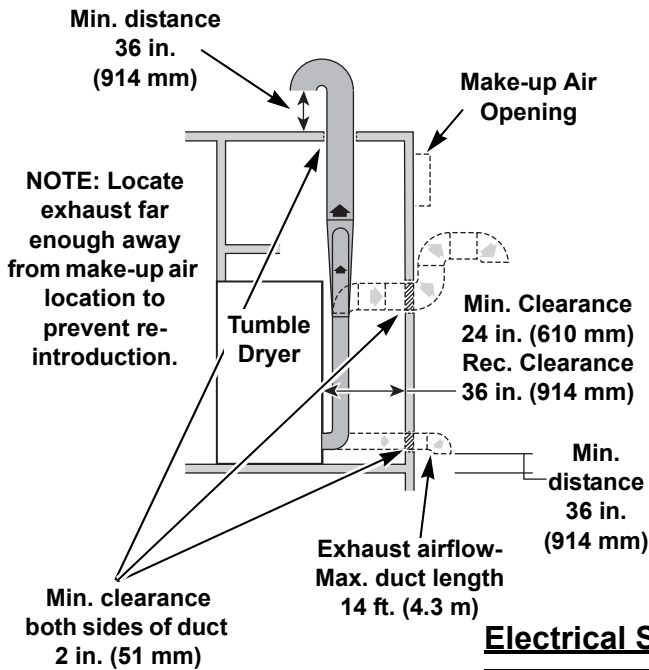
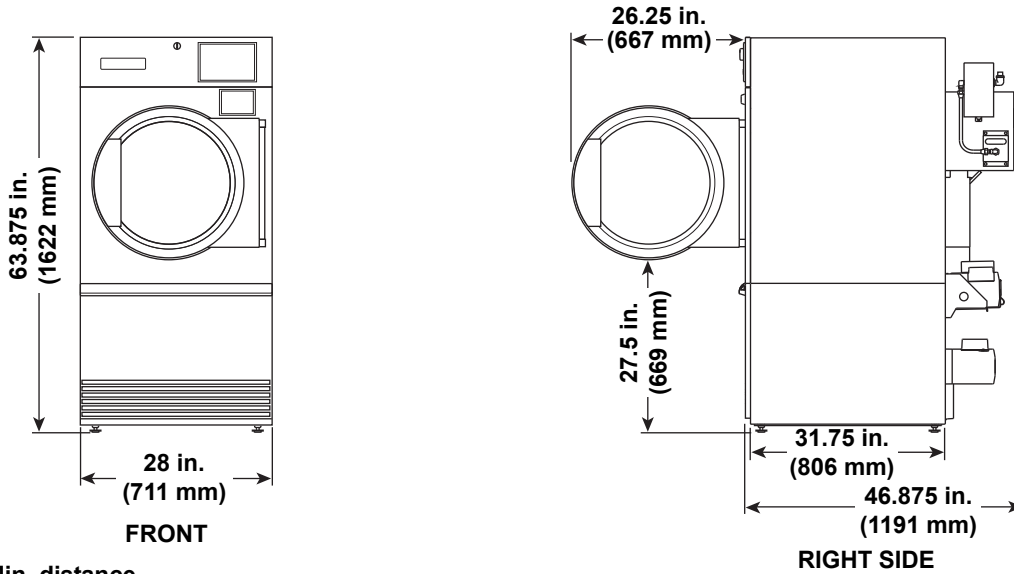
# Machine Dimensions and Specifications

Models ST030L and ST030N



Equipment specifications are subject to change without notice.

## Dimensions



## Electrical Specifications

TMB72L

## Specifications

Net Weight	330 lbs.	
Make-up Air Opening	110 sq. in.	
Maximum Airflow per Pocket: C.F.M.	500	
Maximum Static Back Pressure: Inches W.C.	0.8	
Gas Burner Rating:	73,000 Btu/hr	
Recommended Gas Pressure: Inches W.C.	N.G.	6.5
	L.P.	11

Code	Voltage	Cycle	Phase	Wire	Full Load Amps		Fuse or Breaker Rating (Amps)	Breaker Poles	AWG
					Nonreversing	Reversing			
A2	100	60	1	2	11.0	N/A	15	1	14
	200-220	60	1	2	5.8	N/A	10	1	14
B2	120, 208-240	60	1	2/3	12	N/A	15	1	14
F6	200-208, 240	60	3	3	3.2	4.0	10*	3	14
M3	380	60	3	3	1.5	2.0	10*	3	14
P1	440	60	3	3	1.6	N/A	10*	3	14
Q1	460-480	60	3	3	1.6	2.0	10*	3	14

\* 3 Phase machines should not have fuses, breakers only.