

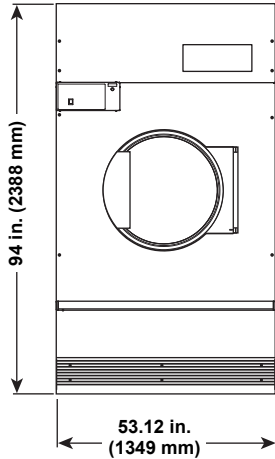
Machine Dimensions and Specifications

Model ST170S

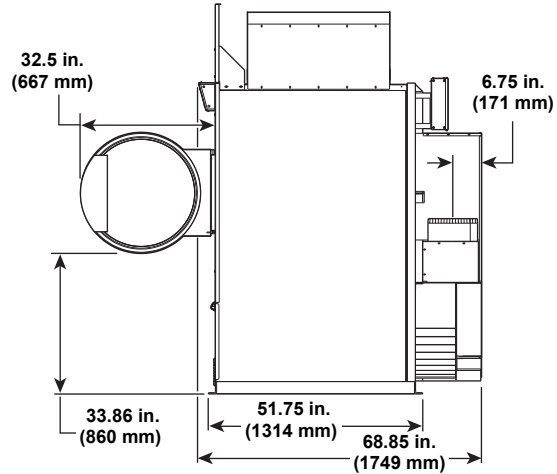


Equipment specifications are subject to change without notice.

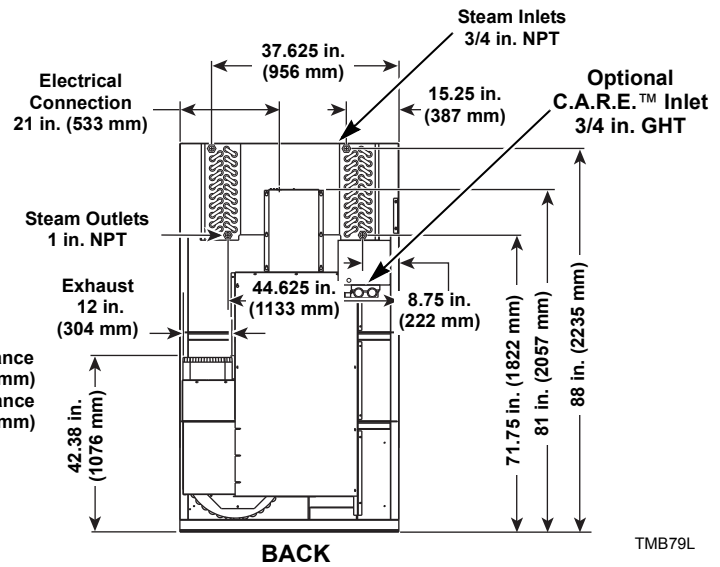
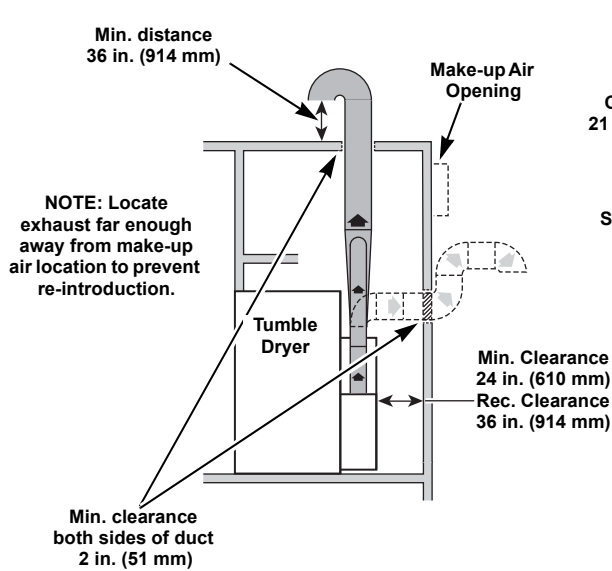
Dimensions



FRONT



RIGHT SIDE



BACK

TMB79L

Specifications

Net Weight	1575 lbs.
Make-up Air Opening	525 sq. in.
Maximum Airflow per Pocket: C.F.M.	2450
Maximum Static Back Pressure: Inches W.C.	0.8
Steam Coil Rating:	648,300 Btu/hr

Electrical Specifications

Code	Voltage	Cycle	Phase	Wire	Full Load Amps	Breaker Rating (Amps)	Breaker Poles	AWG
F6	200-208, 240	60	3	3	13.5	20	3	12
M3	380	60	3	3	6.9	15	3	14
P1	440	60	3	3	6.4	15	3	14
Q1	460-480	60	3	3	6.7	15	3	14