

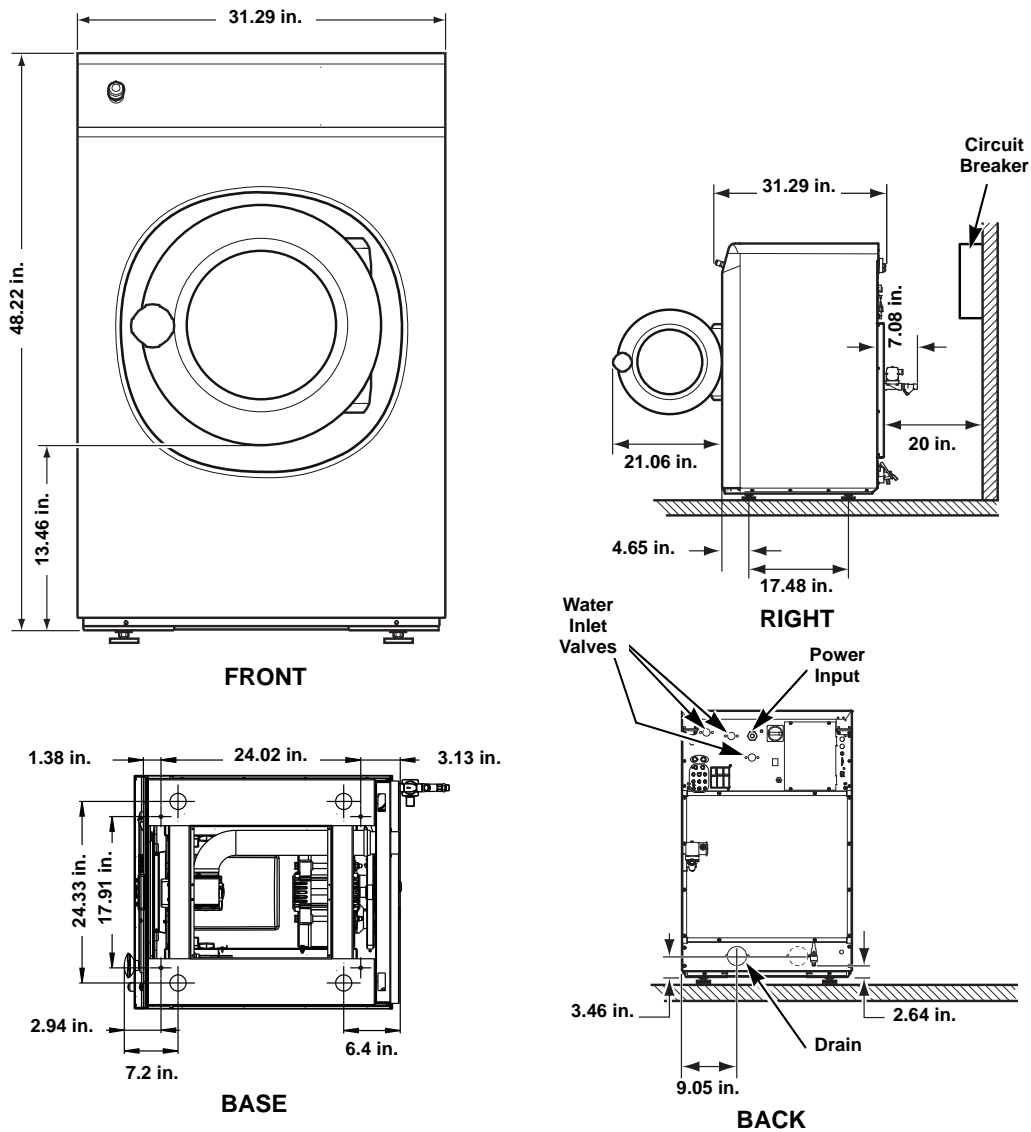
# Machine Dimensions and Specifications

Model SYN025



Equipment specifications are subject to change without notice.

## Dimensions and Foundation Requirements



CFD1L

## Electrical Specifications

| Voltage Designation |         |       |        |                     | Non-Electric Heat Machines (Standard) |                     |     |
|---------------------|---------|-------|--------|---------------------|---------------------------------------|---------------------|-----|
| Code                | Voltage | Cycle | Phase  | Wire                | Full Load Amps                        | Breaker (Non Fused) | AWG |
| X                   | 200-240 | 60    | 1 or 3 | 2 (L1, L2 or L1, N) | 9.8                                   | 15                  | 14  |

## Water, Drain and Weight Specifications

|                                  |                                       |
|----------------------------------|---------------------------------------|
| Drain: Number (Size)             | 1 (3 in.)                             |
| Fill Water Inlets: Number (Size) | 3 (3/4 in.)<br>2 standard, 1 optional |
| Weight: Net (Gross)              | 463 lbs.<br>(518 lbs.)                |
| Side Clearance:                  | 0.79 in. (minimum)                    |