

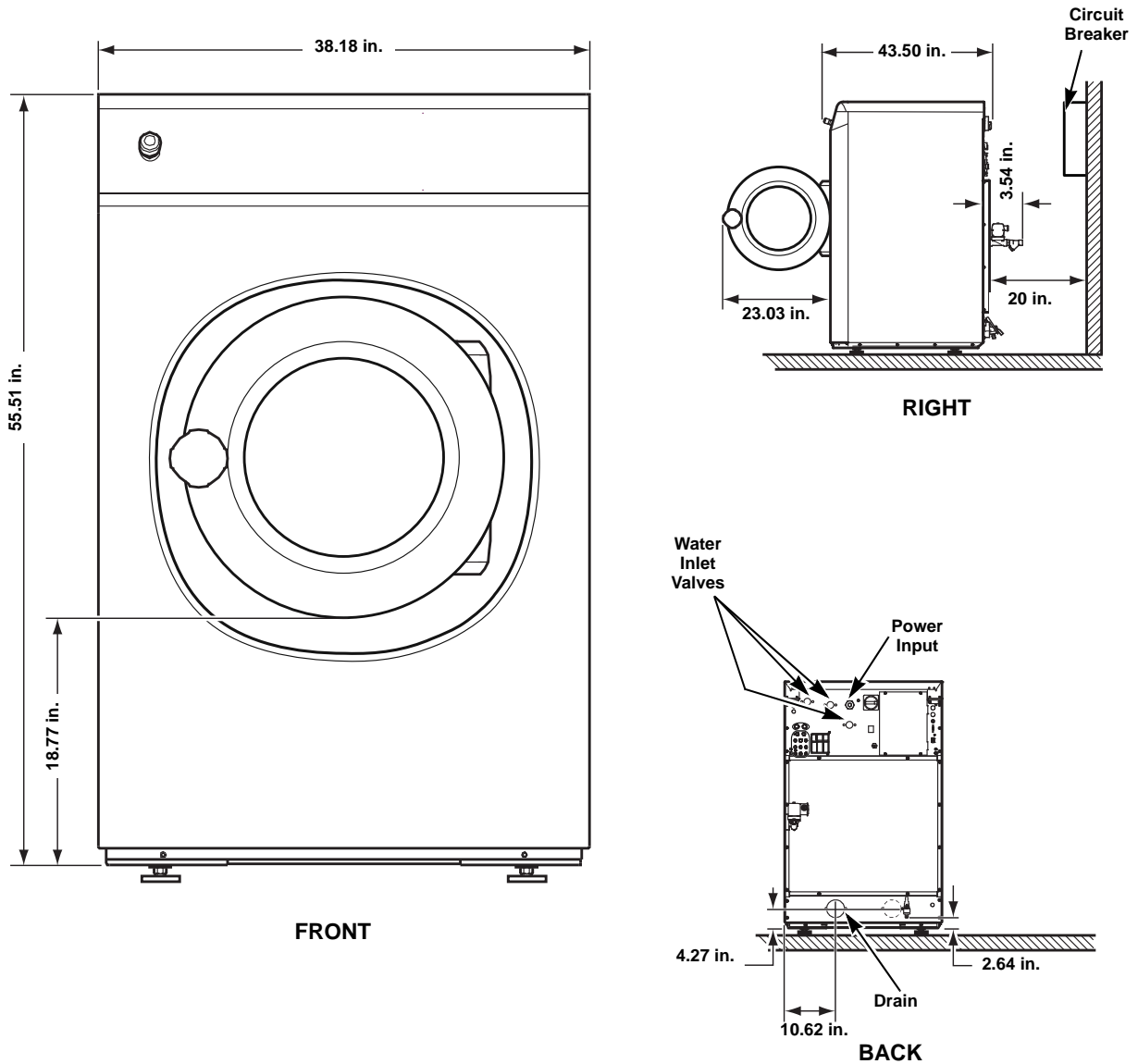
Machine Dimensions and Specifications

Model SYN055



Equipment specifications are subject to change without notice.

Dimensions and Foundation Requirements



Electrical Specifications

Voltage Designation					Non-Electric Heat Machines (Standard)		
Code	Voltage	Cycle	Phase	Wire	Full Load Amps	Breaker (Non Fused)	AWG
X	200-240	50-60	1 or 3	2 (L1, L2) or 3 (L1, L2, L3)	15	20	12
N	440-480	50-60	3	3 (L1, L2, L3)	7.1	10	14

Water, Drain and Weight Specifications

CFD2L

Drain: Number (Size)	1 (3 in.)
Fill Water Inlets: Number (Size)	3 (3/4 in.)
Weight: Net (Gross)	948 lbs. (992 lbs.)
Side Clearance:	0.79 in. (minimum)