

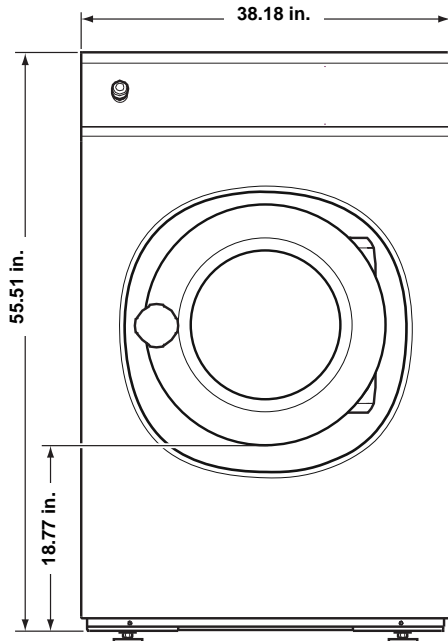
# Machine Dimensions and Specifications

Model SYN070

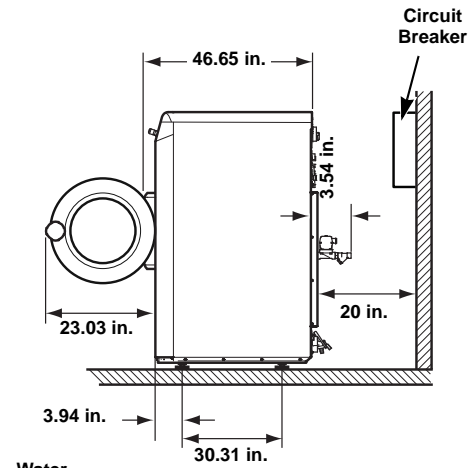


Equipment specifications are subject to change without notice.

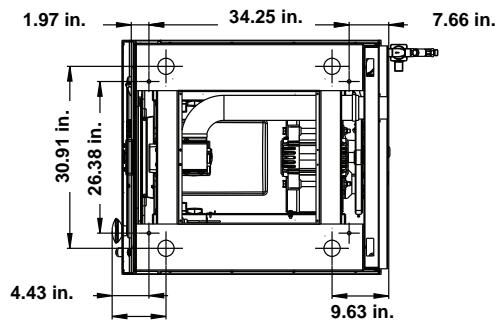
## Dimensions and Foundation Requirements



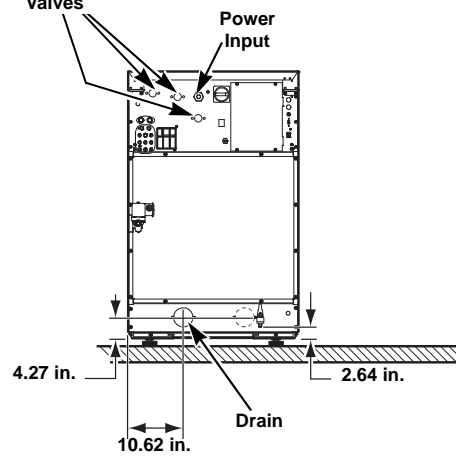
FRONT



RIGHT



BASE



BACK

CFD1006N

## Electrical Specifications

| Voltage Designation |         |       |        |                     | Non-Electric Heat Machines (Standard) |                     |     |
|---------------------|---------|-------|--------|---------------------|---------------------------------------|---------------------|-----|
| Code                | Voltage | Cycle | Phase  | Wire                | Full Load Amps                        | Breaker (Non Fused) | AWG |
| X                   | 200-240 | 60    | 1 or 3 | 2 (L1, L2 or L1, N) | 16                                    | 20                  | 14  |
| N                   | 440-480 | 60    | 3      | 3 (L1, L2, L3)      | 7.2                                   | 10                  | 14  |

## Water, Drain and Weight Specifications

|                                  |                                       |
|----------------------------------|---------------------------------------|
| Drain: Number (Size)             | 1 (3 in.)                             |
| Fill Water Inlets: Number (Size) | 3 (3/4 in.)<br>2 standard, 1 optional |
| Weight: Net (Gross)              | 1092 lbs.<br>(1135 lbs.)              |
| Side Clearance:                  | 0.79 in. (minimum)                    |